



NAME Chris Brame RACE SWCS #2 DATE 3/31/2019  
 TRACK RCRCNT CITY/COUNTRY Rendon, Tx USA TRACK CONDITION Fair

# GT 2019 SET-UP SHEET

AIR TEMP 72  F°  °C  
 LAPS 217:03  
 BEST LAP TIME  
19.7 TQ/Main Winner in LAP 5  
 TRACK SIZE  
 OPEN  MEDIUM  TIGHT  
 TRACK TRACTION  
 HIGH  MEDIUM  LOW

**DIFFERENTIAL OIL**

FRONT	BEVEL PINION	REAR
<u>43</u>	<u>43</u>	<u>43</u>
<u>13</u>	<u>13</u>	<u>13</u>

OIL wt. 1Million 50k REAR

**CLUTCH**

BRAND N/A  
 COMPOUND  ALUM  CARBON  
 SPRING BRAND \_\_\_\_\_  
 TENSION \_\_\_\_\_ mm  
 CLUTCH SHOES \_\_\_\_\_ SHOE

**GEARING**

SPUR GEAR	T &	T
<u>46</u>	<u>T &amp;</u>	<u>T</u>
<u>21</u>	<u>T &amp;</u>	<u>T</u>

**TIRES**

FRONT TYPE GQ  
 COMPOUND White  
 INSERT FOAM Stock  
 REAR TYPE GQ  
 COMPOUND White  
 INSERT FOAM Stock

**ENGINE**

TYPE HobbyWing 2200 4268  
 PORT HobbyWing XR8+  
 PLUG ProTek 4s 6500  
 PIPE WTF 40MM Fan (2)

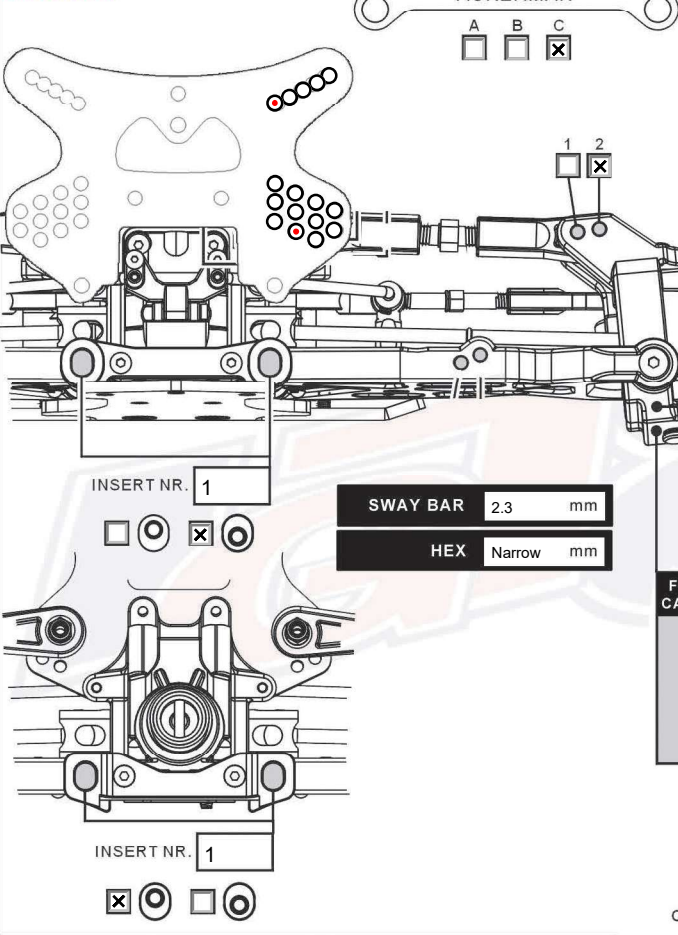
**BODY**

BRAND JZ  
 TYPE Flow

**NOTES**

Carbon Front Body Brace  
 Carbon Transmission Stiffener  
 Titanium Steering Rods  
 Rear Body Support  
 Standard Front Bumper  
 Flex Top Plate  
 RC Target Graphite Servo Arm  
 \*\*\*\*Front droop measured from King Pin. \*\*\*

## FRONT



RIDE HEIGHT 7.5 mm  
 DROOP 4.5 mm  
 CAMBER ANGLE 1.9 °  
 TOE ANGLE 0 °

PLASTIC  ALUM

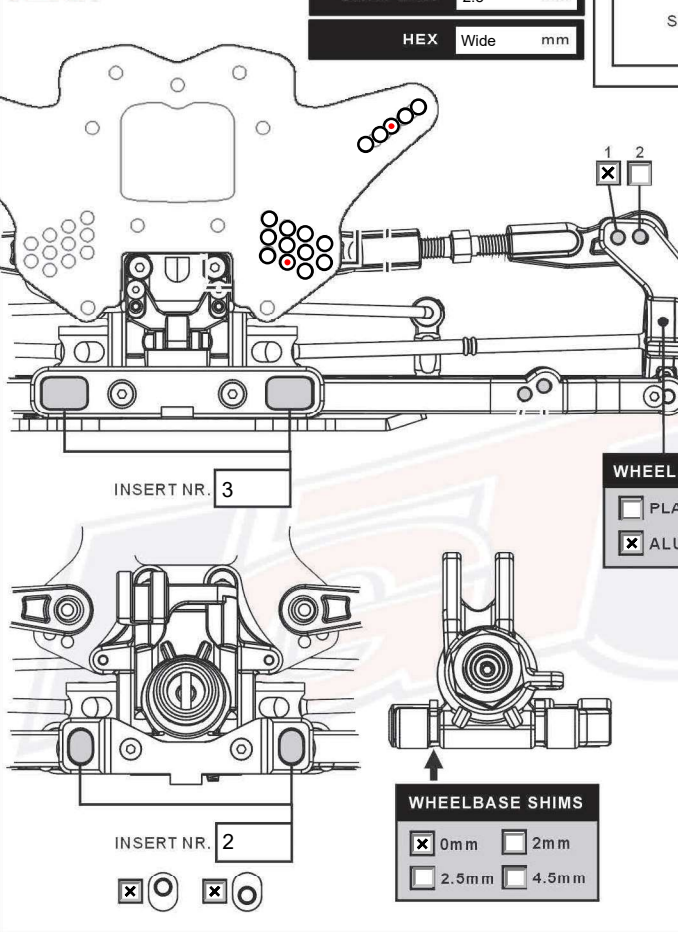
FRONT SPINDLE CARRIER  
 PLASTIC  ALUM

STEERING KNUCKLEARM  
 PLASTIC  ALUM

**FRONT SHOCK**

OIL wt. 800  
 PISTON 1.4 mm  
 SPRING 2.3

## REAR



RIDE HEIGHT 8.5 mm  
 DROOP 9 mm  
 CAMBER ANGLE 1.7 °

PLASTIC  ALUM

**REAR SHOCK**

OIL wt. 800  
 PISTON 1.4 mm  
 SPRING 2.3